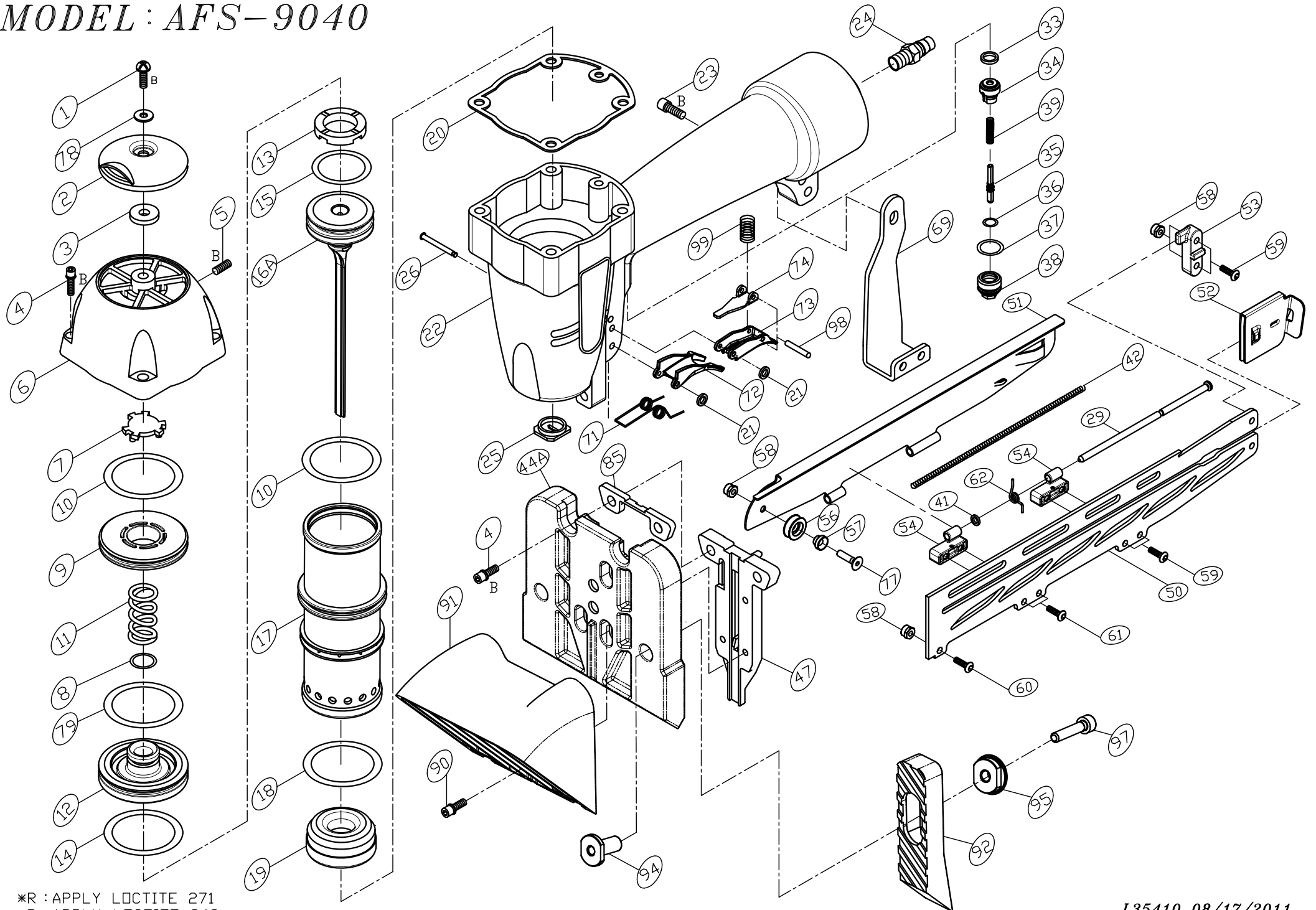


MODEL : AFS-9040



*R : APPLY LOCTITE 271
*B : APPLY LOCTITE 242

PARTS LIST (AFS-9040)

*WHEN ORDERING SPARE PARTS, PLEASE STATE ITEM No, PART NO. AND DESCRIPTION.

ITEM	PART NO	DESCRIPTION	QTY	ITEM	PART NO	DESCRIPTION	QTY	ITEM	PART NO	DESCRIPTION	QTY
01	US05080B-12	UM.HD.BOLT	1	41	OR02519N	O RING	1				
02	39601301	EXHAUST COVER	1	42	20704601	SPRING	1				
03	39601401	PU WASHER	1	44A	35404501A	NOSE COVER ASM.	1				
04	HS05080BW-25	HEX.SOC.HD.BOLT+SW	6	47	36300102	NOSE	1				
05	SS04070B-06	SET SCREW	1	50	36300201	STAPLE GUIDE UNIT	1				
06	20900601	CAP	1	51	35100501	COVER	1				
07	20900701	PISTON STOPPER**	1	52	36300601	PUSHER	1				
08	OR11824N	O RING**	1	53	35100301	CONNECTING BLOCK	1				
09	20900901	COLLAR	1	54	35100401	SET PLATE	2				
10	OR40025N	O RING**	2	56	23201001	ROLLER	1				
11	20901101	SPRING**	1	57	23200901	ROLLER SLEEVE	1				
12	20901201	PISTON HEAD VALVE	1	58	LN0400N	LOCK NUT	4				
13	20901301	STOPPER	1	59	US04070B-12	UM.HD.BOLT	4				
14	OR31735N	O RING**	1	60	US04070B-16	UM.HD.BOLT	1				
15	OR27735N	O RING**	1	61	US04070B-10	UM.HD.BOLT	2				
16A	27201601A	DRIVER ASSEMBLY**	1	62	35100801	SPRING	1				
17	20901702	CYLINDER	1	69	35100701	BRACKET	1				
18	OR37530N	O RING**	1	71	11703701	SPRING	1				
19	20901902	BUMPER**	1	72	11704101	TRIGGER COVER	1				
20	20902001	GASKET**	1	73	11704001	TRIGGER	1				
21	OR01919N	O RING**	2	74	15104601	TRIGGER LEVER	1				
22	30302302	BODY	1	77	FH04070B-12	FLAT. HD.BOLT	1				
23	HS05080BW-12	HEX.SOC.HD.BOLT+SW	1	78	FW050120B-08	FLAT WASHER	1				
24	12106401	AIR PLUG	1	79	OR40624N	O RING**	1				
25	12502501	JOINT GUIDE	1	85	27208501	PLATE	1				
26	11103201	STEPPED PIN	2	90	HS04070B-10	HEX. SOC. HD. BOLT	2				
29	34903301	STEP PIN	1	91	35409101	INCLINED FIXER	1				
33	32803301	SEAL	1	92	35409201	ADJUSTABLE BLOCK	2				
34	32803501	TRIGGER VALVE HEAD	1	94	35409801	STEPPED PIN	2				
35	32803701	TRIGGER VALVE STEM	1	95	35409901	SET PLATE	2				
36	OR02510N	O RING**	2	97	HS05080B-25	HEX.SOC.HD.BOLT**	2				
37	OR10819N	O RING**	1	98	BP0316P	BALL PIN	1				
38	32803801	TRIGGER VALVE GUIDE	1	99	32802501	SPRING	1				
39	32803601	SPRING	1								