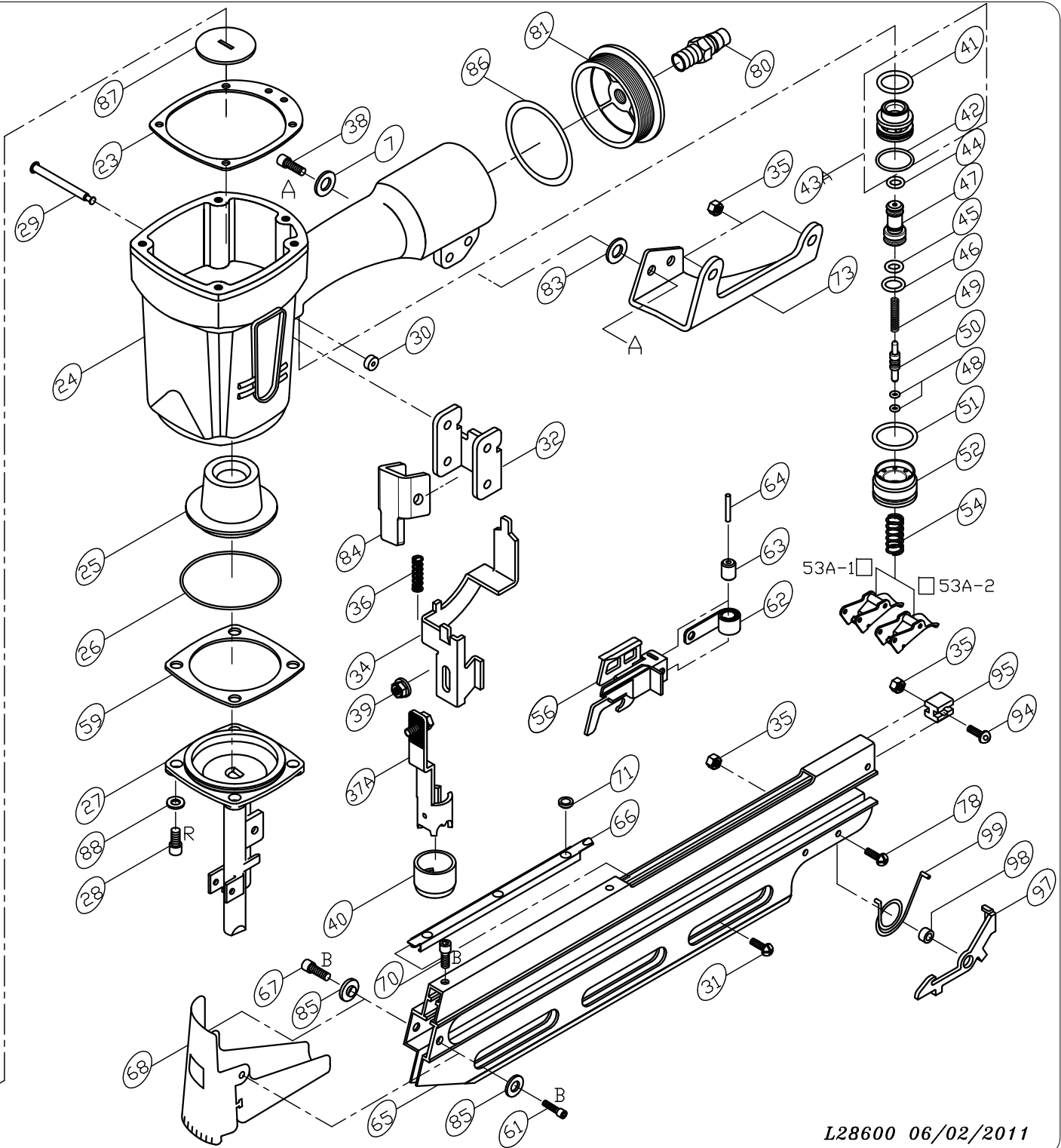
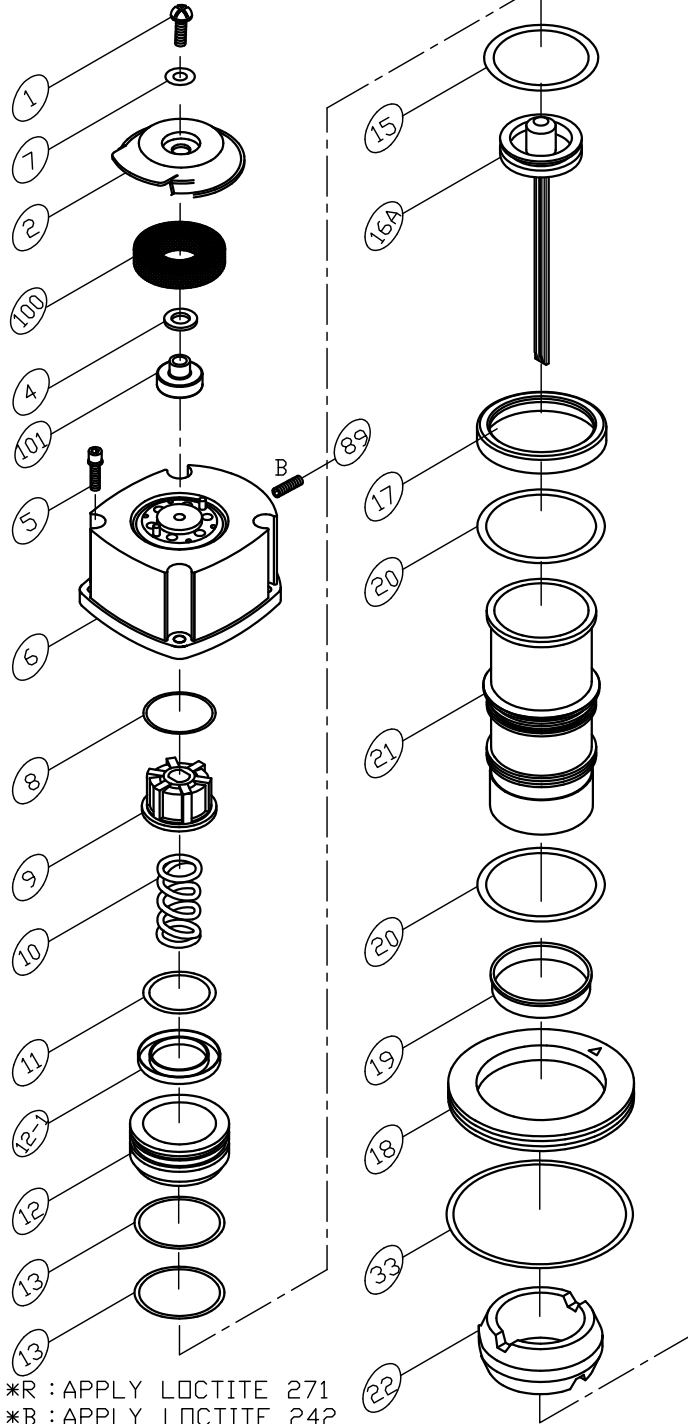


MODEL: AN-10034E



*R : APPLY LOCTITE 271
 *B : APPLY LOCTITE 242

PARTS LIST (AN-10034E)

*WHEN ORDERING SPARE PARTS, PLEASE STATE ITEM No, PART NO. AND DESCRIPTION.

ITEM	PART NO	DESCRIPTION	QTY	ITEM	PART NO	DESCRIPTION	QTY	ITEM	PART NO	DESCRIPTION	QTY
001	US06100L-20	UM.HD.BOLT	1	036	16103602	SPRING(CE)	1	080	12106401	AIR PLUG	1
002	15100202	EXHAUST COVER	1	037A	31403701A	SAFETY LEVER	1	081	23302501	END CAP	1
004	15108501	PU RING	1	038	HS06100BW-16	HEX.SOC.HD.BOLT+SW	2	083	GW0800W	GASKET WASHER	2
005	HS06100LW-30	HEX.SOC.HD.BOLT+SW	4	039	LN0600NB	LOCK NUT	1	084	28603301	GASKET WASHER	1
006	32600601	CAP	1	040	16104001	RUBBER PAD	1	085	16108501	SPACER	2
007	FW060130B-10	FLAT WASHER	3	041	OR14018N	O-RING	1	086	OR54431N	O RING**	1
008	16100801	SPACER	1	042	OR17515N	O RING**	1	087	16208701	WASHER	1
009	16100901	PISTON STOPPER**	1	043A	15103701A	VALVE ASM.	1	088	SW0800W	SPRING WASHER	4
010	15101001	SPRING**	1	044	OR05819N	O RING**	1	089	SS06100B-06	SET SCREW	1
011	OR47326N	O RING	1	045	OR06020N	O RING**	1	094	US05080B-20	UM.HD.BOLT	1
012	32601201	PISTON HEAD VALVE	1	046	OR08819N	O RING**	1	095	16109201	MAGAZINE BLOCK	1
012-1	15100401	SPACER	2	047	15104101	VALVE PLUNGER	1	097	30809701	RELEASER	1
013	OR60030N	O RING**	2	048	OR02515V	O RING**	2	098	16109801	ROLLER	1
015	OR49735N	O RING**	1	049	15108301	SPRING	1	099	16109901	SPRING	1
016A	28601601A	PISTON ASSEMBLY**	1	050	15104201	PLUNGER	1	100	27610001	MUFFLER	1
017	32601401	CYLINDER SEAL	1	051	OR19824N	O RING**	1	101	25310001	SLEEVE	1
018	25501801	CYLINDER RING	1	052	15104401	PLUNGER CAP	1				
019	16101901	CYLINDER RING	1	053A-1	25205301A	SEQUENTIAL FIRE TRIGGER	1				
020	OR60026N	O RING**	2	053A-2	25205302A	BUMP FIRE TRIGGER	1				
021	32602101	CYLINDER	1	054	16305401	SPRING	1				
022	16102201	BUMPER UPPER**	1	056	16305601	PUSHER	1				
023	32602302A	CYLINDER CAP SEAL	1	059	16105901	GASKET**	1				
024	25502401	BODY	1	061	HS06100B-12	HEX.SOC.HD.BOLT	1				
025	23304901	BUMPER"B"	1	062	16106201	SPIRAL SPRING**	1				
026	OR56718N	O RING**	1	063	16106301	ROLLER	1				
027	31502701	NOSE	1	064	BP0424P	BALL PIN	1				
028	HS08125B-28	HEX.SOC.HD.BOLT	4	065	31506501	MAGAZINE	1				
029	16102902	STEPPED PIN	3	066	16206601	NAIL GUIDE LINER	1				
030	16103001	PU RING**	3	067	HS06100B-18	HEX.SOC.HD.BOLT	1				
031	US05080B-12	UM.HD.BOLT	2	068	16106802	DEBRIS SHIELD	1				
032	25203201	GUIDE SAFETY LEVER	1	070	HS03050B-04	HEX.SOC.HD.BOLT	1				
033	OR84431N	O RING**	1	071	16107101	INSERT	2				
034	28603401	UPPER SAFETY LEVER	1	073	24907301	BRACKET	1				
035	LN0500N	LOCK NUT	5	078	US05080B-16	UM.HD.BOLT	1				