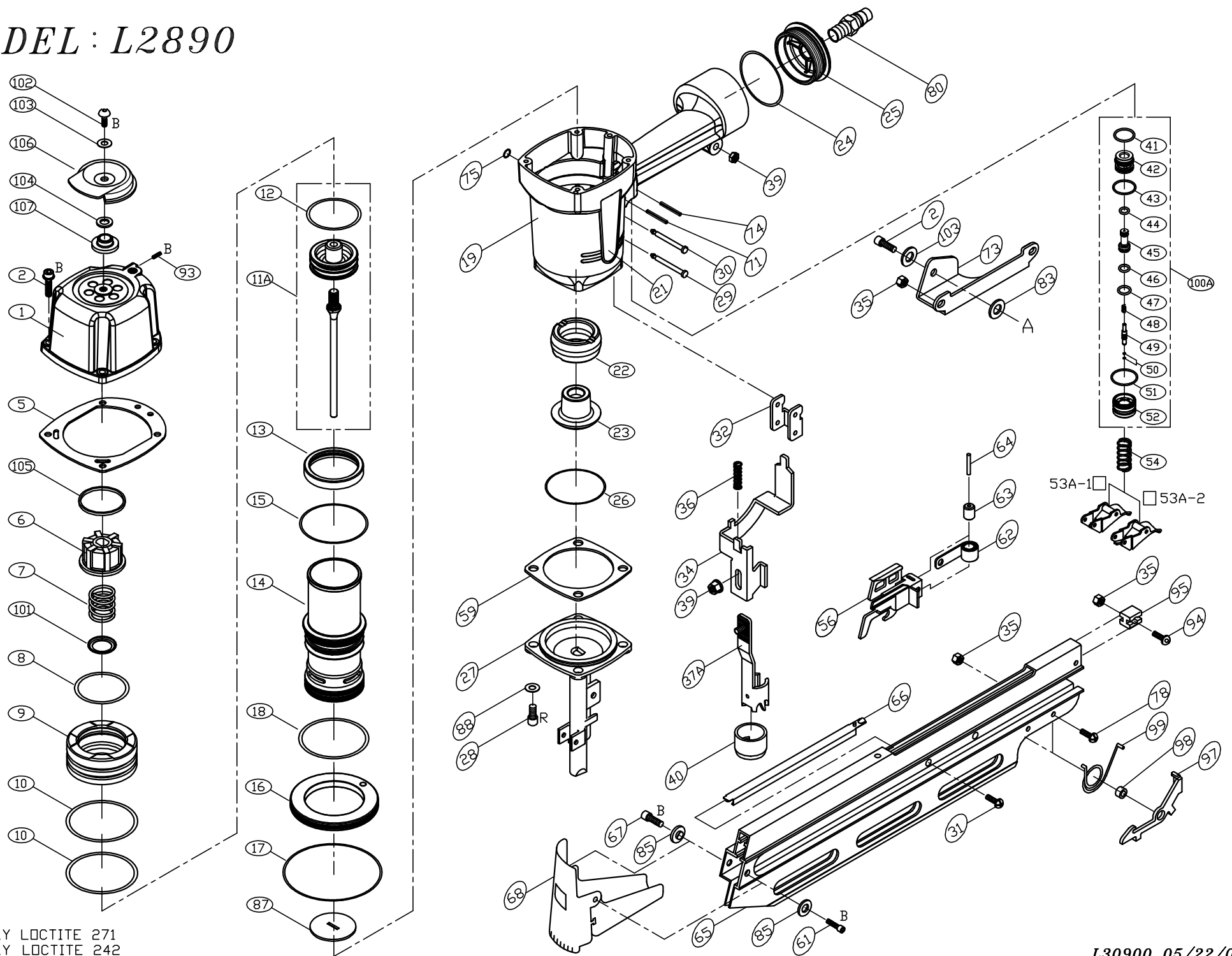


MODEL : L2890



*R : APPLY LOCTITE 271
 *B : APPLY LOCTITE 242

PARTS LIST (L2890)

*WHEN ORDERING SPARE PARTS, PLEASE STATE ITEM No, PART NO. AND DESCRIPTION.

| ITEM | PART NO | DESCRIPTION | QTY | ITEM | PART NO | DESCRIPTION | QTY | ITEM | PART NO | DESCRIPTION | QTY |
|------|-------------|-----------------------|-----|--------|-------------|-------------------------|-----|------|--------------|-----------------------|-----|
| 001 | 25400101 | CYLINDER CAP UNIT | 1 | 040 | 16104001 | RUBBER PAD | 1 | 087 | 16208701 | WASHER | 1 |
| 002 | HS0630BW | HEX. SOC. HD. BOLT+SW | 5 | 041 | OR15618N | O RING | 1 | 088 | SW0800W | SPRING WASHER | 4 |
| 005 | 23300501 | CYLINDER CAP SEAL | 1 | 042 | 23303501 | TRIGGER VALVE | 1 | 093 | SS06100B-06 | SET SCREW | 1 |
| 006 | 25400601 | PISTON STOP | 1 | 043 | OR17515N | O RING** | 1 | 094 | US05080B-20 | UM. HD. BOLT | 1 |
| 007 | 23300701 | COMPRESSION SPRING | 1 | 044 | OR05819N | O RING** | 1 | 095 | 16109201 | MAGAZINE BLOCK | 1 |
| 008 | OR41630N | O RING** | 1 | 045 | 23304101 | VALVE PLUNGER | 1 | 097 | 30809701 | RELEASER | 1 |
| 009 | 25400902 | HEAD VALVE PISTON | 1 | 046 | OR06819N | O RING** | 1 | 098 | 16109801 | ROLLER | 1 |
| 010 | OR56830N | O RING** | 2 | 047 | OR08819N | O RING** | 1 | 099 | 16109901 | SPRING | 1 |
| 011A | 30901101A | DRIVER ASSEMBLY** | 1 | 048 | 15108301 | SPRING | 1 | 100A | 23303801A | BUMP FIRE TRIGGER KIT | 1 |
| 012 | OR42749V | PISTON O RING** | 1 | 049 | 23304501 | PLUNGER | 1 | 101 | 23310101 | HEAD VALVE WASHER | 1 |
| 013 | 23301301 | CYLINDER SEAL | 1 | 050 | OR02514V | O RING** | 2 | 102 | US06100B-20 | UM. HD. BOLT | 1 |
| 014 | 25401401M | CYLINDER | 1 | 051 | OR21015N | O RING** | 1 | 103 | FW060130B-10 | FLAT WASHER | 2 |
| 015 | OR56531N | O RING** | 1 | 052 | 23303801 | TRIGGER VALVE CAP | 1 | 104 | 15108501 | PU RING | 1 |
| 016 | 23301601 | CYLINDER RING | 1 | 053A-1 | 30805301A | SEQUENTIAL FIRE TRIGGER | 1 | 105 | 25409801 | COLLAR | 1 |
| 017 | OR84431N | O RING** | 1 | 053A-2 | 30805302A | BUMP FIRE TRIGGER | 1 | 106 | 15100202 | EXHAUST COVER | 1 |
| 018 | OR55657N | O RING** | 1 | 054 | 16305401 | SPRING | 1 | 107 | 25310001 | SLEEVE | 1 |
| 019 | 23301901 | BODY | 1 | 056 | 16205601 | PUSHER | 1 | | | | |
| 021 | 23302101 | PLASTIC LABEL | 2 | 059 | 16105901 | GASKET** | 1 | | | | |
| 022 | 23304801 | BUMPER"A" | 1 | 061 | HS06100B-12 | HEX. SOC. HD. BOLT | 1 | | | | |
| 023 | 23304901 | BUMPER"B" | 1 | 062 | 16106201 | SPIRAL SPRING** | 1 | | | | |
| 024 | OR54431N | O RING** | 1 | 063 | 16106301 | ROLLER | 1 | | | | |
| 025 | 23302501 | END CAP | 1 | 064 | BP0424P | BALL PIN | 1 | | | | |
| 026 | OR56718N | O RING** | 1 | 065 | 16206502 | MAGAZINE | 1 | | | | |
| 027 | 16202701 | NOSE | 1 | 066 | 16206601 | NAIL GUIDE LINER | 1 | | | | |
| 028 | HS08125B-30 | HEX. SOC. HD. BOLT | 4 | 067 | HS06100B-18 | HEX. SOC. HD. BOLT | 1 | | | | |
| 029 | 23302701 | STEPPED PIN | 2 | 068 | 16106802 | DEBRIS SHIELD | 1 | | | | |
| 030 | 16102902 | STEPPED PIN | 1 | 071 | RP3030S | ROLLED PIN | 1 | | | | |
| 031 | US05080B-12 | UM. HD. BOLT | 2 | 073 | 30907301 | BRACKET | 1 | | | | |
| 032 | 30803201 | GUIDE SAFETY LEVER | 1 | 074 | RP3020S | ROLLED PIN | 1 | | | | |
| 034 | 30903401 | UPPER SAFETY LEVER | 1 | 075 | OR01919N | O RING** | 3 | | | | |
| 035 | LN0500N | LOCK NUT | 4 | 078 | US05080B-16 | UM. HD. BOLT | 1 | | | | |
| 036 | 16203601 | SPRING | 1 | 080 | 16108001 | AIR PLUG | 1 | | | | |
| 037A | 30803701A | SAFETY LEVER | 1 | 083 | GW0800W | GASKET WASHER | 1 | | | | |
| 039 | LN0600NB | LOCK NUT | 2 | 085 | 16108501 | SPACER | 2 | | | | |