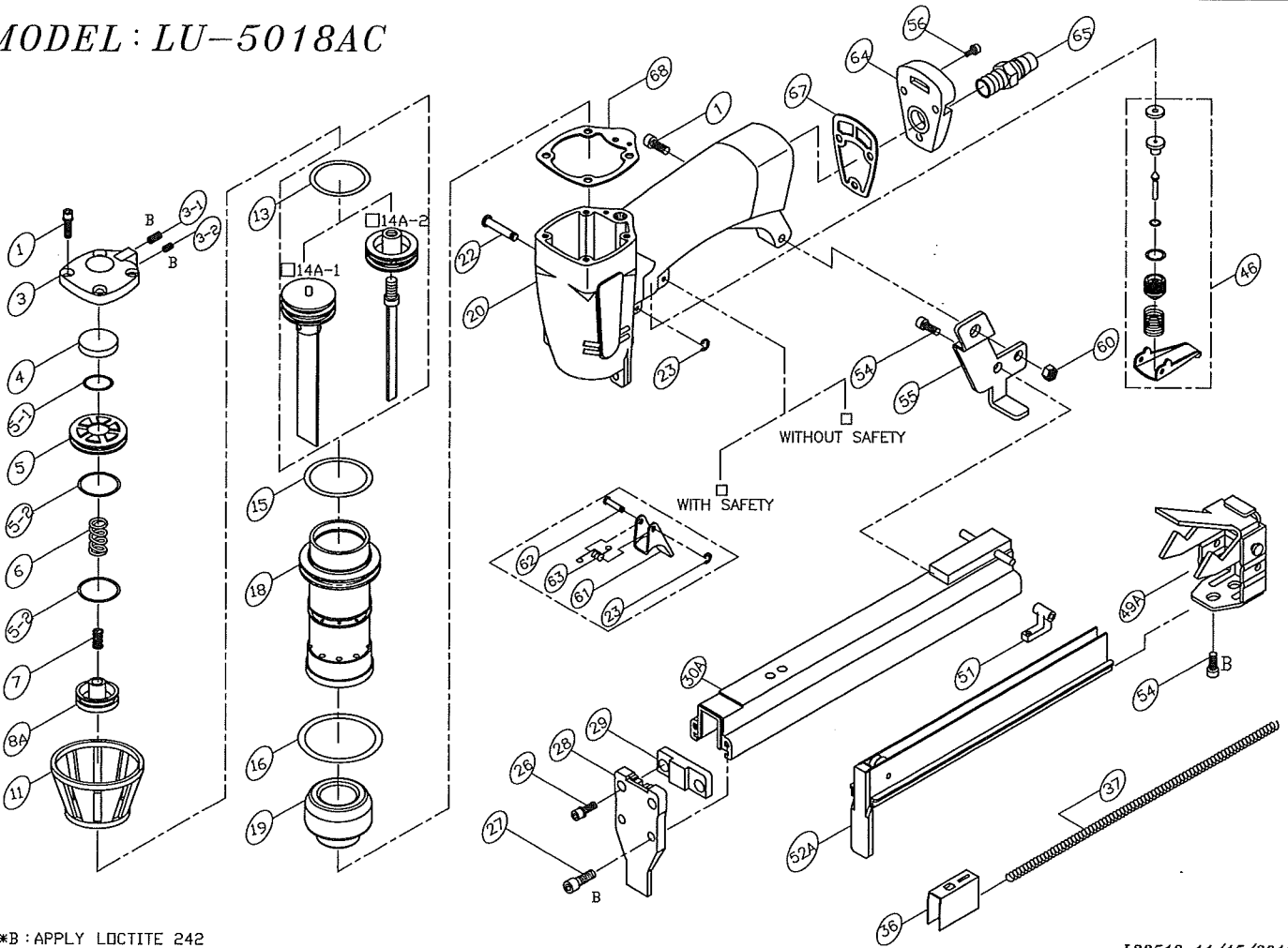


MODEL : LU-5018AC



PARTS LIST (LU-5018AC)

*WHEN ORDERING SPARE PARTS, PLEASE STATE ITEM NO, PART NO. AND DESCRIPTION.

ITEM	PART NO	DESCRIPTION	QTY	ITEM	PART NO	DESCRIPTION	QTY	ITEM	PART NO	DESCRIPTION	QTY
01	HS05080BW-16	HEX. SOC. HD. BOLT+SW	5	55	10405601	BRACKET	1				
03	16800301	CAP	1	56	HS04070BW-16	HEX. SOC. HD. BOLT+SW	3				
03-1	SS06100B-04	SET SCREW	1	60	LH0500N	LOCK NUT	1				
03-2	SS04070B-04	SET SCREW	1	61	11002801	TRIGGER	1				
04	10200501	SEAL	1	62	10206201	STEPPED PIN	1				
05	16801301	PISTON STOPPER	1	63	11009101	TOR. SPRING	1				
05-1	OR11824N	O RING**	1	64	16806401	END CAP	1				
05-2	OR27025N	O RING**	2	65	12106401	AIR PLUG	1				
06	16800501	SPRING**	1	67	16806702	GASKET	1				
07	10200401	SPRING**	1	68	16806802	GASKET**	1				
08A	10200801A	HEAD VALVE ASM.	1								
11	10201201	COLLAR	1								
13	OR17730N	O RING**	1								
14A-1	16601401A	DRIVER ASSEMBLY**	1								
14A-2	16601402A	DRIVER ASSEMBLY**	1								
15	OR31824N	O RING**	1								
16	OR25020N	O RING	1								
18	16801801	CYLINDER	1								
19	16801901	BUMPER	1								
20	19602002	BODY	1								
22	10202201	STEPPED PIN	1								
23	ER0250R	E RING	2								
26	HS05080BW-18	HEX. SOC. HD. BOLT+SW	2								
27	HS04070B-12	HEX. SOC. HD. BOLT	2								
28	23503603	NOSE	1								
29	10703801	SET PLATE	1								
30A	23503801A	MAGAZINE	1								
36	16604101	PUSHER	1								
37	10404301	SPRING	1								
46	10203001A	TRIGGER VALVE ASSEMBLY	1								
49A	10405201A	END CORE ASM.	1								
51	19004801	SET PLATE	1								
52A	19604001A	STAPLE GUIDE UNIT	1								
54	HS04070B-08	HEX. SOC. HD. BOLT	4								