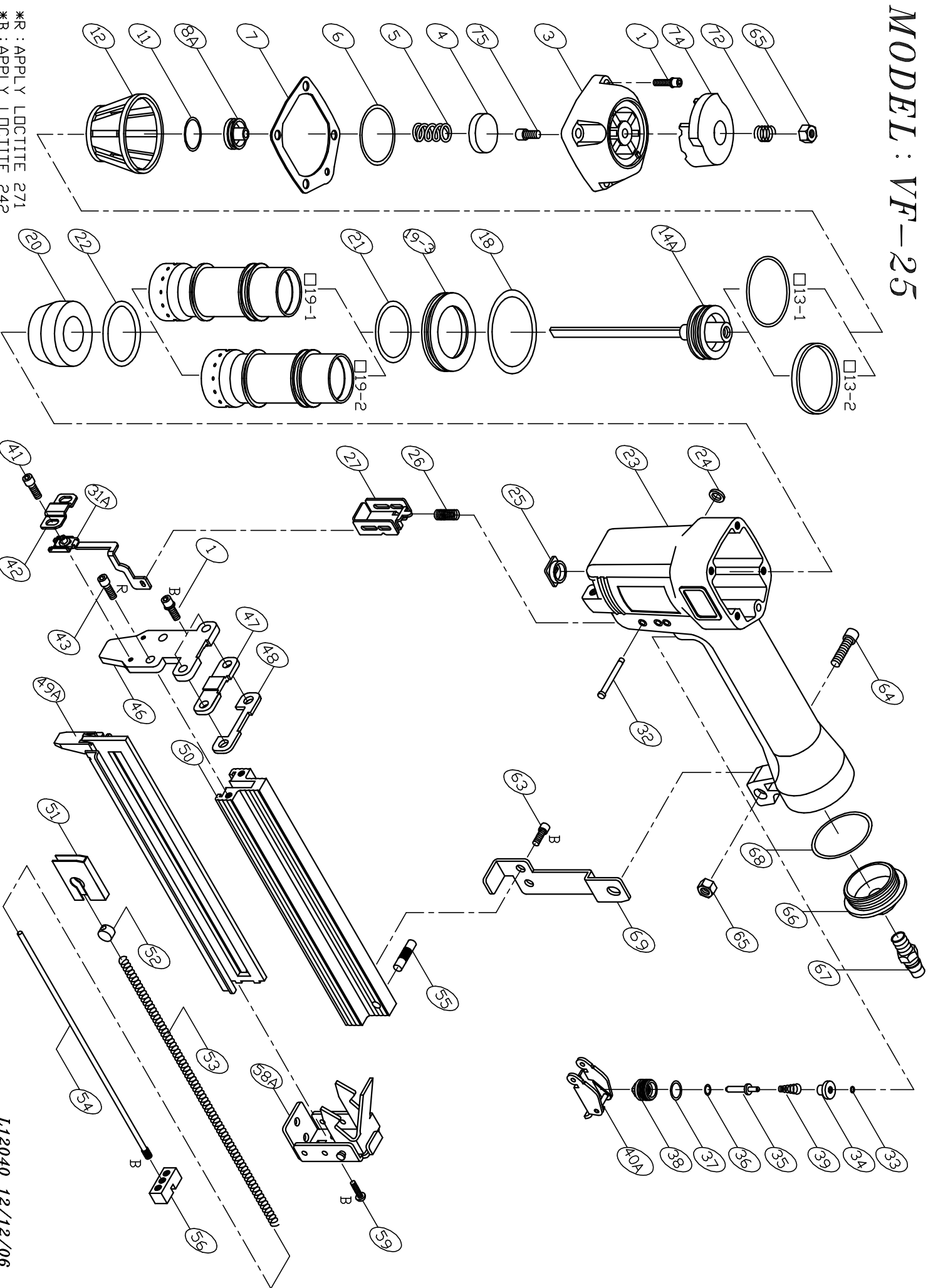


MODEL: VF-25



*R: APPLY LOCTITE 271
 *B: APPLY LOCTITE 242

PARTS LIST (VF-25)

*WHEN ORDERING SPARE PARTS, PLEASE STATE ITEM No, PART NO. AND DESCRIPTION.

ITEM	PART NO	DESCRIPTION	QTY	ITEM	PART NO	DESCRIPTION	QTY	ITEM	PART NO	DESCRIPTION	QTY
01	HS05080BW-20	HEX. SOC. HD. BOLT+SW	6	41	HS04070B-06	HEX. SOC. HD. BOLT	2				
03	11000301	CAP	1	42	12004203	NOSE COVER	1				
04	12100401	SEAL**	1	43	HS04070B-12	HEX. SOC. HD. BOLT	2				
05	12100501	SPRING**	1	46	12004601	NOSE	1				
06	OR13824N	O RING**	1	47	11304701	SET PLATE	1				
07	11000701	CAP SEAL**	1	48	12104501	SET PLATE	1				
08A	12100801A	HEAD VALVE ASM.	1	49A	12004901A	STAPLE GUIDE UNIT	1				
11	OR31824N	O RING**	1	50	12005001	MAGAZINE	1				
12	11001201	COLLAR	1	51	12005101	PUSHER	1				
13-1	OR22431N	O RING**	1	52	14305201	SLIDE BLOCK	1				
13-2	11001303	PISTON RING	1	53	11305301	SPRING**	1				
14A	12001405A	DRIVER ASSEMBLY**	1	54	11305401	ROD	1				
18	OR43526N	O RING**	1	55	11305501	SHAFT	1				
19-1	11001904	CYLINDER	1	56	11305601	SET BLOCK	1				
19-2	11001904G	CYLINDER	1	58A	11605801A	END CORE ASM.	1				
19-3	11001903	COLLAR	1	59	US05080B-10	UM. HD. BOLT	2				
20	11002001	BUMPER**	1	63	HS04070B-10	HEX. SOC. HD. BOLT	2				
21	OR32025N	O RING**	1	64	HS05080B-16	HEX. SOC. HD. BOLT	1				
22	OR29826N	O RING**	1	65	LN0500N	LOCK NUT	2				
23	11002301	BODY	1	66	11106602	COVER**	1				
24	OR01919N	O RING**	2	67	12106401	AIR PLUG	1				
25	11602501	JOINT GUIDE	1	68	OR40030N	O RING**	1				
26	11002601	SPRING	1	69	11306902	BRACKET	1				
27	11002702	GUIDE SAFETY LEVER	1	72	11007201	SPRING	1				
31A	12003101A	VINYL SIDING YOKE ASM.	1	74	11007401	EXHAUST COVER	1				
32	11103201	STEPPED PIN	2	75	US05080B1-16	UM. HD. BOLT	1				
33	OR02519N	O RING	1								
34	11003401	TRIGGER VALVE HEAD	1								
35	11003503	TRIGGER VALVE STEM	1								
36	OR02515V	O RING**	1								
37	OR10719N	O RING**	1								
38	11003803	TRIGGER VALVE GUIDE	1								
39	11006901	SPRING	1								
40A	15104501A	TRIGGER ASSEMBLY	1								