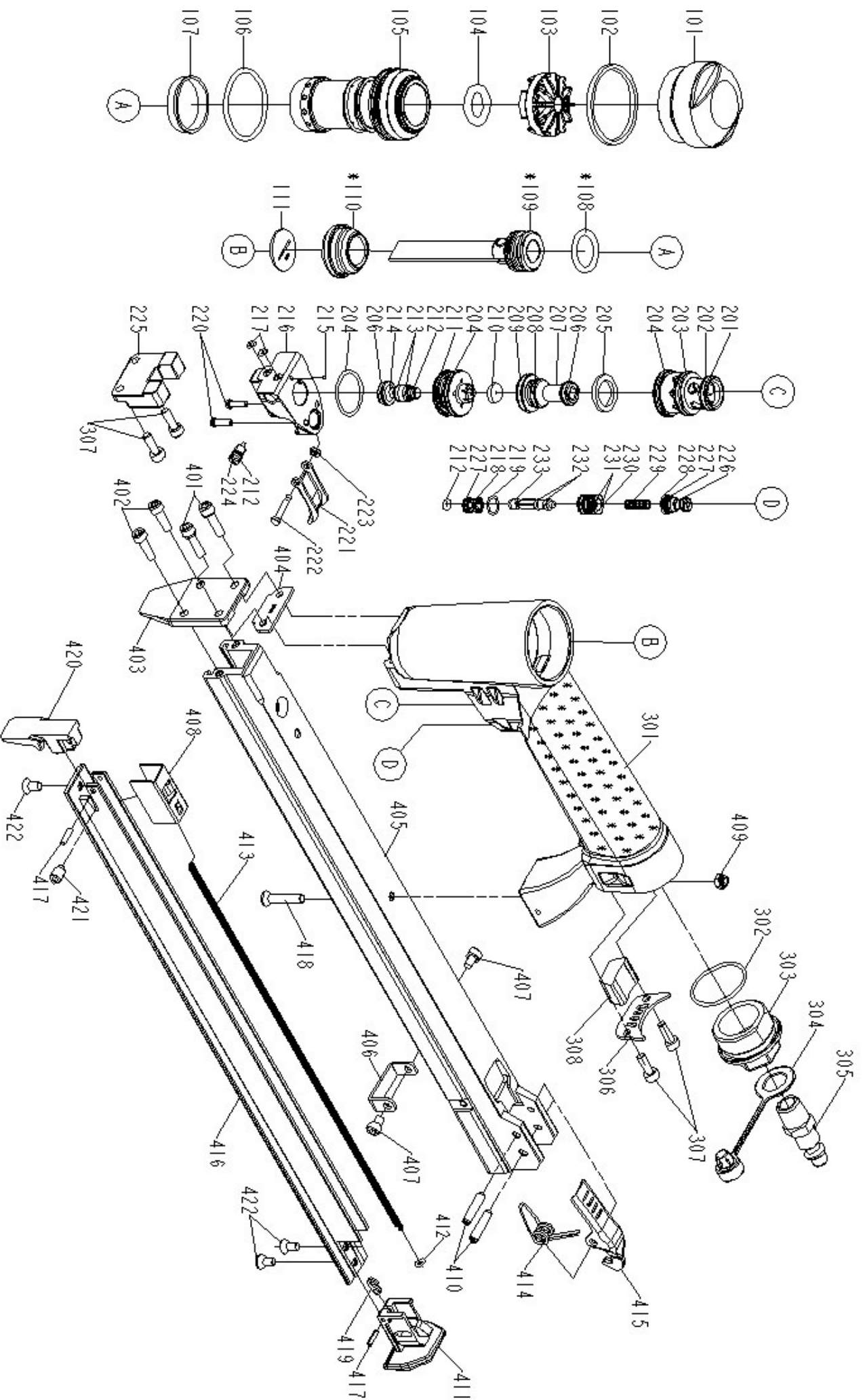


C-5016LMA-A2 Automatic Stapler

Exploded View Diagram—May, 2017



ITEM	PARTS NO	PARTS NAME	QTY	ITEM	PARTS NO	PARTS NAME	QTY
101	11371-0034704-1	DEFLECTOR	1	227	2041109-01060-0	O - RING	2
102	1132M-0034701-1	PACKING	1	228	11373-0030005-1	TRIGGER VALVE HEAD C	1
103	11370-0034702-2	SEAL	1	229	1133U-0014701-1	SPRING	1
104	2041107-02011-0	O-RING	1	230	11373-0030003-1	TRIGGER VALVE HEAD	1
105	11320-0030005-2	CYLINDER	1	231	2041109-01020-0	O - RING	2
106	2041109-04070-0	O - RING	1	232	2041104-01070-0	O - RING	2
107	11322-0034701-1	CYLINDER RING	1	233	11375-0034702-1	TRIGGER VALVE STEM A	1
108	2041106-02010-0	O - RING	1	301	11230-003E801-1	GUN BODY UNIT	1
109	11204-1404701-1	DRIVER UNIT	1	302	2041109-03040-0	O - RING	1
110	11327-0734701-2	BUMPER	1	303	11346-0031304-1	END CAP	1
111	11388-1404701-1	DRIVER GUIDE	1	304	1132L-0010001-1	AIR PLUG CAP	1
201	2041109-02120-0	O - RING	1	305	1135V-0000007-1	AIR PLUG	1
202	11373-0030004-2	TRIGGER VALVE HEAD B	1	306	11394-0034702-1	GUIDE PLATE	1
203	2041104-02080-0	O - RING	1	307	2040101-02060-0	HEX.SOC.HD.BOLT	4
204	2041109-03030-0	O - RING	3	308	1132T-0030002-1	MUFFLER	1
205	11399-0034701-1	COLLAR	1	401	2040100-02080-2	BOLT ASSY	2
206	2041108-01040-0	O - RING	2	402	2040101-02070-2	HEX.SOC.HD.BOLT	2
207	1133S-0030003-2	VALVE PLUNGER A	1	403	11351-1404701-2	DRIVER GUIDE COVER	1
208	2041104-02071-0	O - RING	1	404	11380-0044706-1	GASKET	1
209	2041104-02061-0	O - RING	1	405	11391-1404702-1	MAGAZINE B	1
210	1130J-0034702-1	CUSHION	1	406	1130S-0034702-1	STOPPER	1
211	11374-0030003-1	PLUNGER CAP	1	407	2040101-02020-2	HEX.SOC.HD.BOLT	2
212	2041104-01020-0	O - RING	3	408	11363-1404701-1	PUSHER	1
213	2041104-01080-0	O - RING	2	409	2040500-02010-0	LOCK NUT	1
214	1133S-0030004-1	VALVE PLUNGER B	1	410	2040401-07100-0	SPIRAL PINS	2
215	2040800-05010-0	BALL	1	411	11347-0044703-1	REAR PLATE	1
216	1133T-0034702-1	PLUNGER CAP	1	412	2041102-01030-0	O - RING	1
217	2041109-01080-0	O - RING	2	413	11328-0030002-1	PULL SPRING	1
218	11373-0030006-1	TRIGGER VALVE HEAD D	1	414	11315-0034703-1	SPRING	1
219	2041109-01030-0	O - RING	1	415	11343-0034705-1	LATCH	1
220	2040105-01020-0	ROUND CROSS SCREW	2	416	11389-0044710-1	MAGAZINE A	1
221	11316-0034703-1	TRIGGER	1	417	2040400-04050-0	SPRING PIN	2
222	11324-0684702-1	FIXED PIN	1	418	2040103-02100-5	COUNTER SUNK SCREW	1
223	1131D-0460001-1	URETHANE RETAINER	1	419	11323-0044704-1	POSITIONING SHEET	1
224	11393-0030001-1	ADJUST AXLE	1	420	11303-0044705-2	DRIVER GUIDE	1
225	1131F-0034702-1	ANCHOR BLOCK	1	421	11379-0040002-1	ROLLER	1
226	2041109-01150-0	O - RING	1	422	2040103-02050-3	COUNTER SUNK SCREW	3
					7USAX-3004001-1	O-RING KIT	1