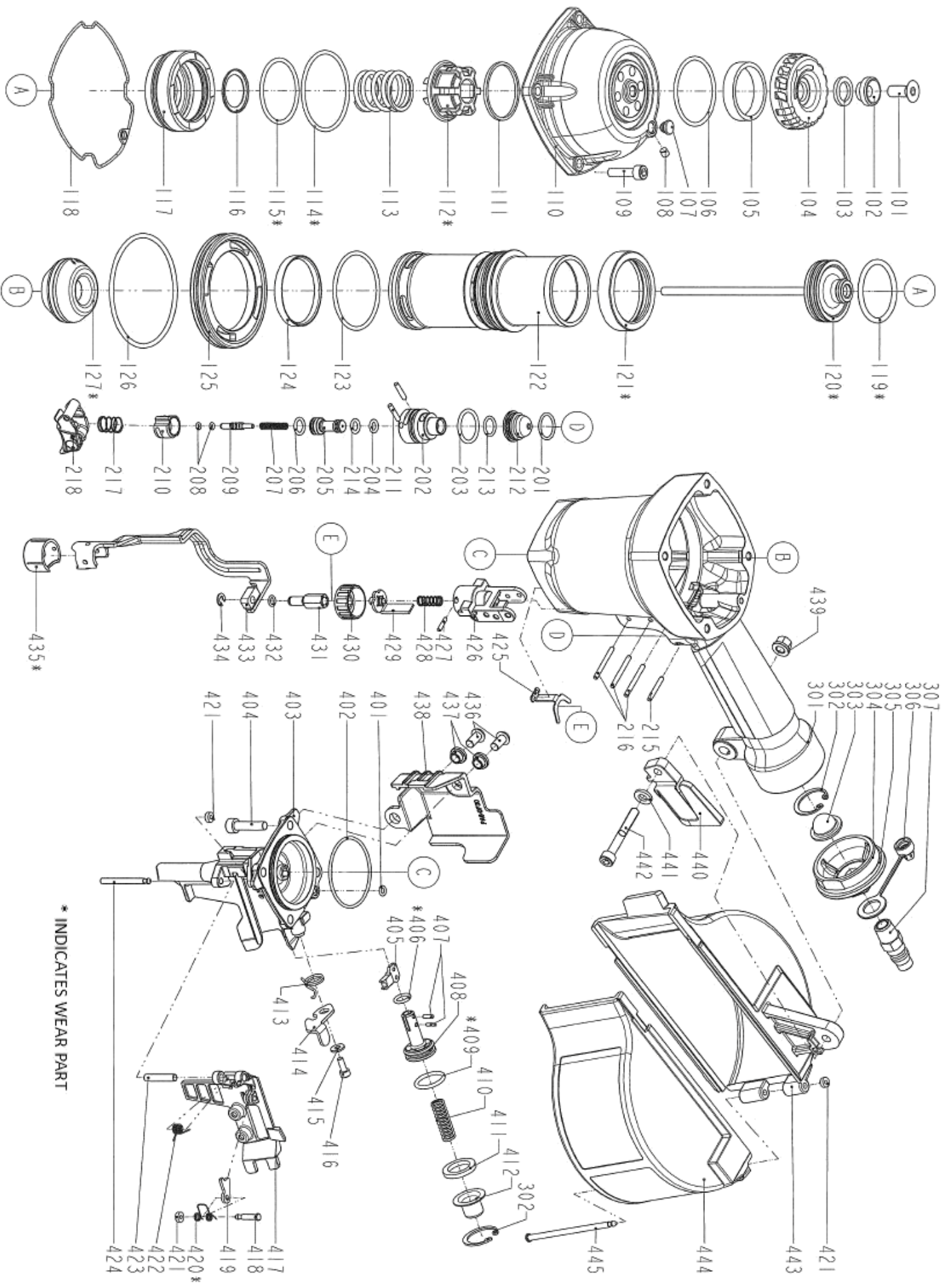


## CN-565Z Coil Nailer

Exploded View Diagram—NOV. 2017



ITEM	PARTS NO	PARTS NAME	QTY	ITEM	PARTS NO	PARTS NAME	QTY
101	2040103-05010-2	COUNTER SUNK SCREW	1	305	2041109-05050-0	O - RING	1
102	11381-0954702-1	WASHER	1	306	1132L-0350001-1	AIR PLUG CAP	1
103	1135G-0464702-1	RUBBER PAD	1	307	1135V-0000009-1	AIR PLUG	1
104	11371-0954701-1	DEFLECTOR	1	401	2041108-01010-0	O - RING	1
105	1132T-0780001-1	MUFFLER	1	402	2041109-05110-0	O - RING	1
106	2041102-05050-0	O - RING	1	403	11382-1164703-1	NOSE PIECE	1
107	1135S-0350001-1	GROMMET	1	404	2040101-04200-2	HEX.SOC.HD.BOLT	4
108	2040104-03010-0	HEX.SOC.HD.SCREW	1	405	11306-1164702-1	FEED FINGER	1
109	2040101-04091-0	HEX.SOC.HD.BOLT	4	406*	2041108-01150-0	O - RING	1
110	11369-116E802-1	CAP	1	407	2040400-04040-0	SPRING PIN	2
111	11381-0950001-1	WASHER SEAL	1	408	11364-1164702-1	FEED PISTON	1
112*	11370-1160002-1	SEAL	1	409*	2041100-02040-0	O - RING	1
113	11360-1010001-1	COMPRESSION SPRING	1	410	11367-1160002-1	PUSHER SPRING	1
114*	2041104-06050-0	O - RING	1	411	1134W-0810001-1	FEED BUMPER	1
115*	2041109-05100-0	O - RING	1	412	11366-1164702-1	FEED PISTON CAP	1
116	11381-0950002-1	WASHER	1	413	11311-1160002-1	LATCH SPRING	1
117	11368-1160002-1	HD.VALVE PISTON	1	414	11310-1164702-1	DOOR LATCH	1
118	11302-1164701-1	CYLINDER CAP SEAL	1	415	2040202-02020-0	FLAT WASHER	1
119*	2041100-04031-0	O - RING	1	416	2040101-02040-2	HEX.SOC.HD.BOLT	1
120*	11204-1160006-1	DRIVER UNIT	1	417	11361-1164702-1	DOOR	1
121*	11399-0954701-1	COLLAR	1	418	11359-1164701-1	PIN-NAIL STOP	1
122	11320-1160002-1	CYLINDER	1	419	11358-1164701-1	NAIL STOP	1
123	2041104-06060-0	O - RING	1	420*	1133C-1160001-1	STOPPER FINGER SPRING	1
124	11322-0954701-1	CYLINDER RING	1	421	1135H-0860001-1	PU RETAINER	2
125	11321-0950001-1	CYLINDER SPACER	1	422	11381-1160001-1	SPRING	1
126	2041101-08020-0	O - RING	1	423	11398-1164701-1	LATCH SPRING BUSHING	1
127*	11327-0954701-1	BUMPER	1	424	11362-1164702-1	DOOR SHAFT PIN	1
201	2041104-02060-0	O - RING	1	425	1133L-1164701-1	STOPPER	1
202	11374-0860001-1	PLUNGER CAP	1	426	11338-0764701-1	SAFETY GUIDE	1
203	2041100-02050-0	O - RING	1	427	2040400-04050-0	SPRING PIN	1
204	2041100-01070-0	O - RING	1	428	11337-0084701-1	COMPRESSION SPRING 5	1
205	1133S-0860001-1	VALVE PLUNGER	1	429	11256-0764702-2	SAFETY B UNIT	1
206	2041100-01030-0	O - RING	1	430	11393-0761101-2	ADJUST AXIE	1
207	11376-0254701-1	SPRING	1	431	11393-1164701-1	ADJUST ROD	1
208	2041108-01020-0	O - RING	2	432	2041102-01050-0	O - RING	1
209	11375-1080001-2	PLUNGER	1	433	11254-1164702-1	SAFETY A UNIT	1
210	11373-0864701-1	TRIGGER VALVE HEAD	1	434	2040302-24010-0	E - RING	1
211	11329-0860001-1	PIN	2	435*	11339-0764702-1	PROTECTIVE CASING	1
212	1137A-0860001-1	COVER-PLUNGER	1	436	2040102-04010-2	HALF ROUND HD.HEX.BOLT	2
213	2041104-02070-0	O - RING	1	437	1136L-1374701-1	PROTECTIVE INSERT	2
214	2041100-01050-0	O - RING	1	438	1137A-1164702-1	SAFETY COVER	1
215	2040400-05110-0	SPRING PIN	1	439	2040501-04010-0	BOLT CAP	1
216	2040400-05160-0	SPRING PIN	2	440	1133D-1084701-1	SPRING RETAINER	1
217	11376-0370001-1	SPRING	1	441	2040201-04010-0	FLAT WASHER	1
218	11224-0764701-1	TRIGGER UNIT	1	442	2040101-04101-0	HEX.SOC.HD.BOLT	1
301	11230-1166603-1	GUN BODY UNIT	1	443	11354-1164702-1	MAGAZINE CASE	1
302	2040300-01010-0	C - RING	1	444	1135S-1164701-1	MAGAZINE COVER	1
303	1137N-0370002-1	FILTER	1	445	1136R-1164701-1	MAGAZINE SHAFT PIN	1
304	11346-1161301-1	END CAP	1	KIT	11226-1160001-1	Trigger Value Assembly	1
KIT	7USAX-3116004-1	O-ring Kit	1	KIT	7USAX-3116003-1	REPAIR KIT	1