

CN-565Z Coil Nailer

MANUAL/WARNING:

IMPORTANT PLEASE READ BEFORE USING TOOL

Please read the following operating instructions manual. Refer to this manual for safety, adjustment and trouble shooting instructions. If you have any further questions please contact your distributor.





TABLE OF CONTENTS

	PAGE
TOOL SPECIFICATIONS	3
SAFETY INSTRUCTIONS.....	4
COMPRESSED AIR SYSTEMS	5
OPERATING INSTRUCTIONS.....	6
PRECAUTIONARY MEASURES.....	7
MAINTENANCE.....	8
TROUBLE SHOOTING.....	9
TROUBLE SHOOTING.....	10
EXPLODED VIEW OF TOOL	12
PARTS LIST	13



TOOL SPECIFICATIONS

MODEL OF TOOLCN-565Z

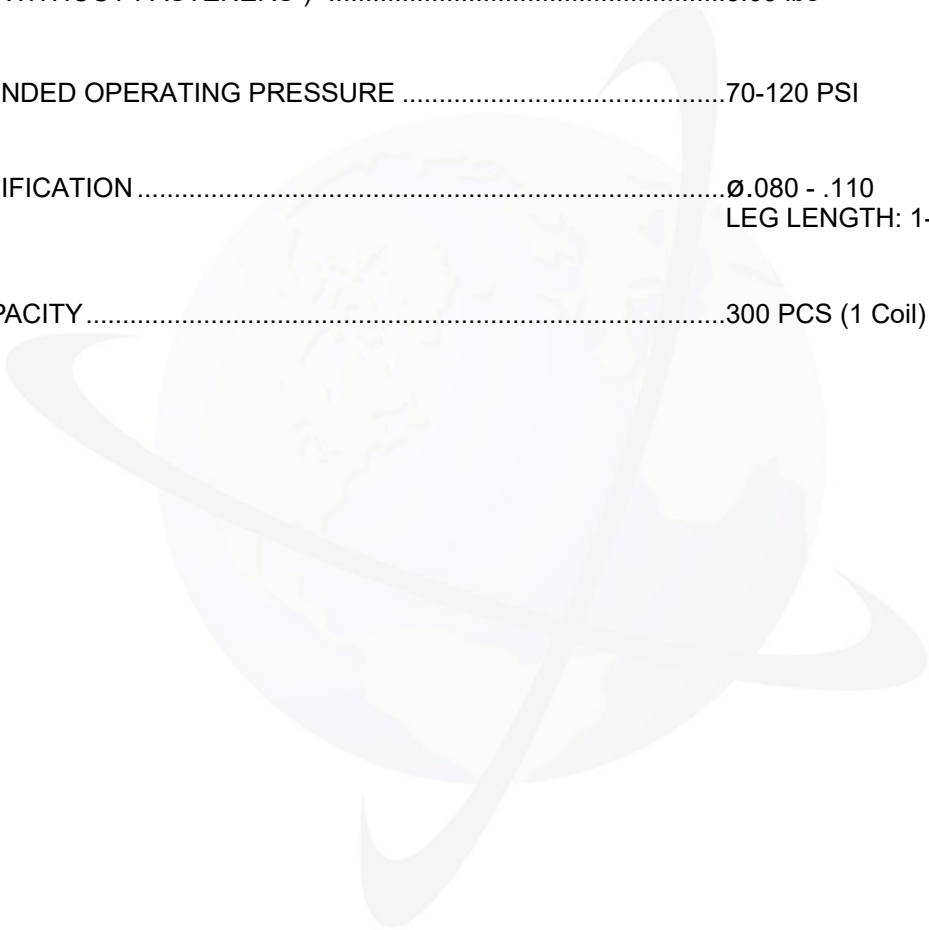
DIMENSIONS (LENGTH x HEIGHT x WIDTH) 12" x 5.75" x 12.5"

WEIGHT (WITHOUT FASTENERS)5.03 lbs

RECOMMENDED OPERATING PRESSURE70-120 PSI

NAIL SPECIFICATION \emptyset .080 - .110
LEG LENGTH: 1-1/4" to 2-1/2"

TAPLE CAPACITY300 PCS (1 Coil)





SAFETY INSTRUCTIONS

Use safety glasses: all persons in the work area must always wear safety glasses in order to prevent eye injuries.

Ear protection must also be worn to prevent a possible hearing loss.

Use clean dry regulated compressed air at the recommended pressure (given in the technical data).

Use only fasteners according to manufactures technical data.

Never exceed the maximum recommended operating pressure of this tool.

Never use oxygen, carbon dioxide, combustible gases or any bottled gas as a power source.

Always disconnect the air supply when doing any tool maintenance, clearing a jam, moving location, leaving the work area or passing the tool.

Regularly inspect the safety, the trigger and the springs for free unhindered movement, never use a tool that requires servicing.

Connect the male free flow nipple to the tool side of the air line so that the tool is depressurized when disconnected from the hose.

Never load fasteners with the trigger safety depressed, it will result in a fastener being fired.

Never carry the tool with the safety depressed, if bumped it will result in a fastener being fired.

Never point the tool at yourself or at any one else.

Never fire a fastener into a hard brittle surface such as concrete, steel or tiles.

Do not drive fasteners too close to an edge or at too great an angle as the fastener may fly free or ricochet causing personal injury and damage.

Always ensure that the work area is amply lit so as to avoid possible accidents.

Never remove, tamper with or otherwise cause the tools operating controls to become inoperable.



COMPRESSED AIR SYSTEM

Proper use of the fastener driving tool requires an adequate quantity of clean dry compressed air. All compressed air contains moisture and other contaminants detrimental to the tool and so it is recommended to use an in line lubricator as close to the tool as possible (within 15 feet (4.5m)). The lubricator should be well maintained so as to ensure optimum performance and power. All parts of the air supply system should be clean and contaminant free.

The tool shall only be connected to a compressed air line where the maximum allowable pressure cannot be exceeded by a factor of more than 10%, which can for example be achieved by a pressure reduction valve which includes a downstream safety valve.

A male free flow coupling should be connected to the tool side of the system with the female coupling providing a seal to prevent air loss from the compressor tank upon disconnection. Never connect a female disconnect coupling to the tool side as this provides a seal which prevents loss of compressed air from the air tank and if connected to the tool it could seal a charge of air in the tool which could lead to an unintentional actuation. Do not mount a swivel connector in the air supply line.

Different work pieces will require different operating pressures, the harder the wood the greater the pressure required. Remember always use the lowest pressure required for the work process at hand, this being to prevent unnecessarily high noise levels, increased wear and resulting failures.

WARNING Keep hands and body away from the discharge area of the tool when connecting the air supply and always disconnect the tool when servicing, adjusting, cleaning and when the tool is not in use.



OPERATING INSTRUCTIONS

Loading fasteners

Press the latch mechanism and open magazine unit.
Load fasteners into the magazine.
Close the magazine.

Type of actuating and trigger system

Dual action safety / contact safety: it will be necessary to activate the contact safety mechanism as well as the trigger in order to fire a fastener. By keeping the trigger activated and activating the contact safety a fastener is fired, this allows for high speed firing, also known as bump firing.

Operating procedures

Protective equipment: before using any tool always ensure that you and those in the work area are using the appropriate working equipment, including safety goggles.

Firing a fastener: to fire a fastener hold the nose of the tool against the work piece to depress the contact safety then pull the trigger to fire a fastener.

Exhaust air: each time a fastener is driven a blast of air is exhausted from the top front area of the tool, keep your face clear of this.

Depth control: check whether the fastener has been driven into the work piece in accordance with requirements, the driven depth can be controlled by adjusting air pressure.

Always use the lowest possible air pressure for the following reasons,

- save energy
- less noise will be produced
- a reduction in fastener driving tool wear will be achieved

Any defective or improperly functioning tool must be immediately disconnected from the compressed air supply and passed to a specialist for inspection.



PRECAUTIONARY MEASURES

'Respect your tool and never horseplay'

- Always assume that the tool contains fasteners.
- Remove finger from the trigger when not driving fasteners. Never carry the tool with your finger on the trigger, as the tool will fire a fastener if the safety is bumped.
- Keep tool pointed in a safe direction at all times, never pointing it toward yourself or others whether it contains fasteners or not.
- Never attempt to drive a fastener into material that is too hard, or at too steep an angle or near the edge of the work piece, the fastener can ricochet causing personal injury. Remember, always hold nose right up to and firmly against the work material.
- Disconnect the tool from the air supply before performing any maintenance, leaving the work area, moving to another location, or handing the tool to another person.
- Always disconnect the tool before removing any jams. CN-565Z has an quick clear nose design for easy extraction of jammed nail.
- Carefully check the tool for proper operation of trigger and safety mechanism. Do not use the tool unless the trigger and safety mechanism and any other of the operating control are functional. Do not use the tool if the tool is leaking air or needs repair.
- Written approval of the tool manufacturer must be obtained before making any modifications to the tool.



MAINTENANCE

'Clean and inspect your tool every time you use it'

The employer and tool operator are responsible for assuring that the tool is kept in safe working order. Furthermore only service personnel trained by the manufacturer, distributor, or employer shall repair the tool.

CAUTION Always remove the air supply before commencing any cleaning or inspection.

Wipe tool clean and inspect tool for wear or damage. Use non-flammable cleaning solutions to wipe the tool. Never soak the tool in these solutions as they can cause internal damage.

Always ensure that all of the screws are kept tight as loose screws can cause injury or can damage the tool.

Tools requiring lubricant: If the tool is used without an in line lubricant then be sure to put in about 3 drops of lubricant at the start of each workday and 3 drops for every 1,000 fasteners fired there after.

Tools shall be repaired or equipped only with parts or accessories that are supplied or recommended by the tool manufacturer / supplier.

NEVER use a tool that requires repair work.

COMPLETE

TROUBLE SHOOTING

Failure	Possible causes	Check Method	Counter measures
No nail is ejected	Incorrect nails are loaded. Abnormal nails are loaded (large-sized head ,bent incorrectly chained, etc.)	Check if recommended nails are loaded	Use recommended nails Remove abnormal nails and load normal nails
	Magazine Unit Push lever Defective nail feeder (either bent or broken) Defective feed spring (worn or broken)	Check for abnormalities of nail feeding portion (deflected, worn, deformed broken)	Repair deformed parts Replace defective parts
	Narrow or wide width of the Magazine groove Worn nail head supporting portion of Magazine Abnormal nail guide groove of Blade Guide (deflected, deformed or broken)	Load nails and confirm that they will move smoothly	
No nail is ejected	Adhesive fragment or wood dust sticking on the Magazine or nail feeder		Remove adhesive fragment or wood dust
	Push lever	Check push lever movement	Replace
	[Output unit :Piston or driver] Air pressure too low	Carry out idle driving and check the return of the driver blade	Check compressor
	Worn piston ring		Replace piston ring
	Defective piston bumper		Replace the piston bumper
	Defective bumper piece (defective, worn or broken)		Replace the piece
	Defective O-ring (disconnected, deformed or broken)		Reassemble or replace the o-ring
	Defective driver blade, (deflected, deformed or broken)	Replace	
Defect inside cylinder (adhesive or wood fragment, worn)	Check if the nailer drives at minimum operating pressure	Remove adhesive fragment or wood dust	

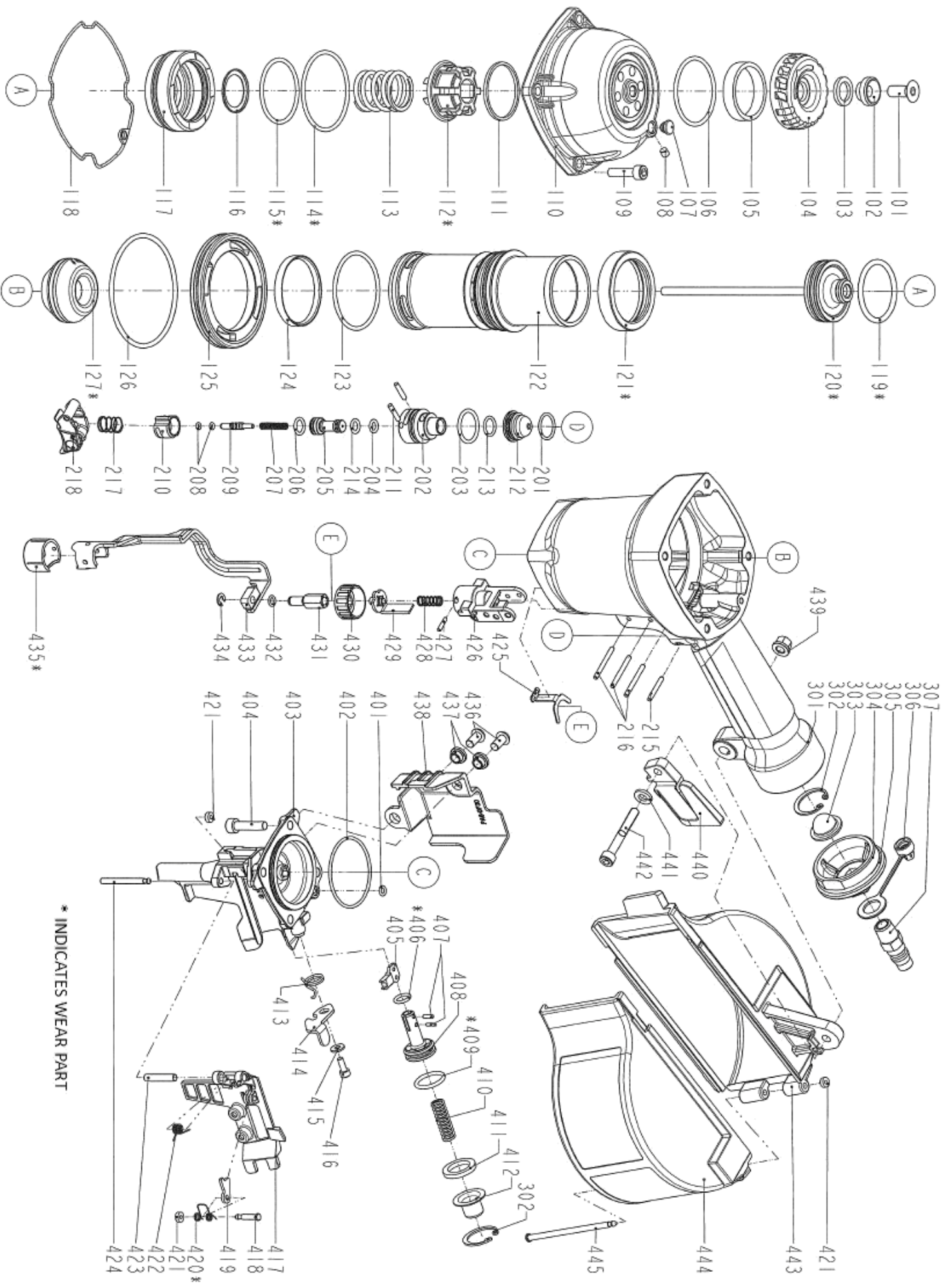


TROUBLE SHOOTING

Failure	Possible causes	Check Method	Counter measures
The driven nail is bent	Nails are inaccurately fed into the Blade Guide Incorrect nails are loaded	Refer to item above	Refer to item above
	Worn driver blade	Check if the driver blade is extremely worn or not	Replace the driver blade
	The wood is too hard	Check if the nails bend on softer wood or not	Stop using the tool
The driven nails do not fully penetrate the work piece (heads protrude)	The wood is too hard	-	Stop using the tool
	Air pressure too low	-	Adjust the air pressure
	Worn or broken driver blade	Carry out idle driving and check if the driver blade protrudes from the blade guide nose	If the driver blade does not protrude from the blade guide replace
	Incorrect driving depth adjustment	Check if the tip of the driver blade is excessively worn or not	Adjust the guide plate to the appropriate position.
	Defective piston ring (worn or broken) Defective inner surface of cylinder (worn or rough)	Disassemble the output unit and check the inside and outside surfaces of the piston ring and cylinder	Replace the defective parts
Nails clog within the ejecting gate	Nails are inaccurately fed into the blade guide Incorrect nails are loaded	Refer to first item	Refer to first item Use designated nails
	Worn tip of the driver blade	Carry out idle driving and check if blade tip if worn or not	Replace
	Worn guide groove of the blade guide	Check the wear of the blade guide	Replace
	Work piece material is too hard		Stop using the tool

CN-565Z Coil Nailer

Exploded View Diagram—NOV. 2017



ITEM	PARTS NO	PARTS NAME	QTY	ITEM	PARTS NO	PARTS NAME	QTY
101	2040103-05010-2	COUNTER SUNK SCREW	1	305	2041109-05050-0	O - RING	1
102	11381-0954702-1	WASHER	1	306	1132L-0350001-1	AIR PLUG CAP	1
103	1135G-0464702-1	RUBBER PAD	1	307	1135V-0000009-1	AIR PLUG	1
104	11371-0954701-1	DEFLECTOR	1	401	2041108-01010-0	O - RING	1
105	1132T-0780001-1	MUFFLER	1	402	2041109-05110-0	O - RING	1
106	2041102-05050-0	O - RING	1	403	11382-1164703-1	NOSE PIECE	1
107	1135S-0350001-1	GROMMET	1	404	2040101-04200-2	HEX.SOC.HD.BOLT	4
108	2040104-03010-0	HEX.SOC.HD.SCREW	1	405	11306-1164702-1	FEED FINGER	1
109	2040101-04091-0	HEX.SOC.HD.BOLT	4	406*	2041108-01150-0	O - RING	1
110	11369-116E802-1	CAP	1	407	2040400-04040-0	SPRING PIN	2
111	11381-0950001-1	WASHER SEAL	1	408	11364-1164702-1	FEED PISTON	1
112*	11370-1160002-1	SEAL	1	409*	2041100-02040-0	O - RING	1
113	11360-1010001-1	COMPRESSION SPRING	1	410	11367-1160002-1	PUSHER SPRING	1
114*	2041104-06050-0	O - RING	1	411	1134W-0810001-1	FEED BUMPER	1
115*	2041109-05100-0	O - RING	1	412	11366-1164702-1	FEED PISTON CAP	1
116	11381-0950002-1	WASHER	1	413	11311-1160002-1	LATCH SPRING	1
117	11368-1160002-1	HD.VALVE PISTON	1	414	11310-1164702-1	DOOR LATCH	1
118	11302-1164701-1	CYLINDER CAP SEAL	1	415	2040202-02020-0	FLAT WASHER	1
119*	2041100-04031-0	O - RING	1	416	2040101-02040-2	HEX.SOC.HD.BOLT	1
120*	11204-1160006-1	DRIVER UNIT	1	417	11361-1164702-1	DOOR	1
121*	11399-0954701-1	COLLAR	1	418	11359-1164701-1	PIN-NAIL STOP	1
122	11320-1160002-1	CYLINDER	1	419	11358-1164701-1	NAIL STOP	1
123	2041104-06060-0	O - RING	1	420*	1133C-1160001-1	STOPPER FINGER SPRING	1
124	11322-0954701-1	CYLINDER RING	1	421	1135H-0860001-1	PU RETAINER	2
125	11321-0950001-1	CYLINDER SPACER	1	422	11381-1160001-1	SPRING	1
126	2041101-08020-0	O - RING	1	423	11398-1164701-1	LATCH SPRING BUSHING	1
127*	11327-0954701-1	BUMPER	1	424	11362-1164702-1	DOOR SHAFT PIN	1
201	2041104-02060-0	O - RING	1	425	1133L-1164701-1	STOPPER	1
202	11374-0860001-1	PLUNGER CAP	1	426	11338-0764701-1	SAFETY GUIDE	1
203	2041100-02050-0	O - RING	1	427	2040400-04050-0	SPRING PIN	1
204	2041100-01070-0	O - RING	1	428	11337-0084701-1	COMPRESSION SPRING 5	1
205	1133S-0860001-1	VALVE PLUNGER	1	429	11256-0764702-2	SAFETY B UNIT	1
206	2041100-01030-0	O - RING	1	430	11393-0761101-2	ADJUST AXIE	1
207	11376-0254701-1	SPRING	1	431	11393-1164701-1	ADJUST ROD	1
208	2041108-01020-0	O - RING	2	432	2041102-01050-0	O - RING	1
209	11375-1080001-2	PLUNGER	1	433	11254-1164702-1	SAFETY A UNIT	1
210	11373-0864701-1	TRIGGER VALVE HEAD	1	434	2040302-24010-0	E - RING	1
211	11329-0860001-1	PIN	2	435*	11339-0764702-1	PROTECTIVE CASING	1
212	1137A-0860001-1	COVER-PLUNGER	1	436	2040102-04010-2	HALF ROUND HD.HEX.BOLT	2
213	2041104-02070-0	O - RING	1	437	1136L-1374701-1	PROTECTIVE INSERT	2
214	2041100-01050-0	O - RING	1	438	1137A-1164702-1	SAFETY COVER	1
215	2040400-05110-0	SPRING PIN	1	439	2040501-04010-0	BOLT CAP	1
216	2040400-05160-0	SPRING PIN	2	440	1133D-1084701-1	SPRING RETAINER	1
217	11376-0370001-1	SPRING	1	441	2040201-04010-0	FLAT WASHER	1
218	11224-0764701-1	TRIGGER UNIT	1	442	2040101-04101-0	HEX.SOC.HD.BOLT	1
301	11230-1166603-1	GUN BODY UNIT	1	443	11354-1164702-1	MAGAZINE CASE	1
302	2040300-01010-0	C - RING	1	444	1135S-1164701-1	MAGAZINE COVER	1
303	1137N-0370002-1	FILTER	1	445	1136R-1164701-1	MAGAZINE SHAFT PIN	1
304	11346-1161301-1	END CAP	1	KIT	11226-1160001-1	Trigger Value Assembly	1
KIT	7USAX-3116004-1	O-ring Kit	1	KIT	7USAX-3116003-1	REPAIR KIT	1



Visit our web site
www.axxisus.com

Or

Email us @
reception.inc@axxisus.com

COMPLETE